

Roberts Hot Tubs

Pre-installation Guide

Contact information

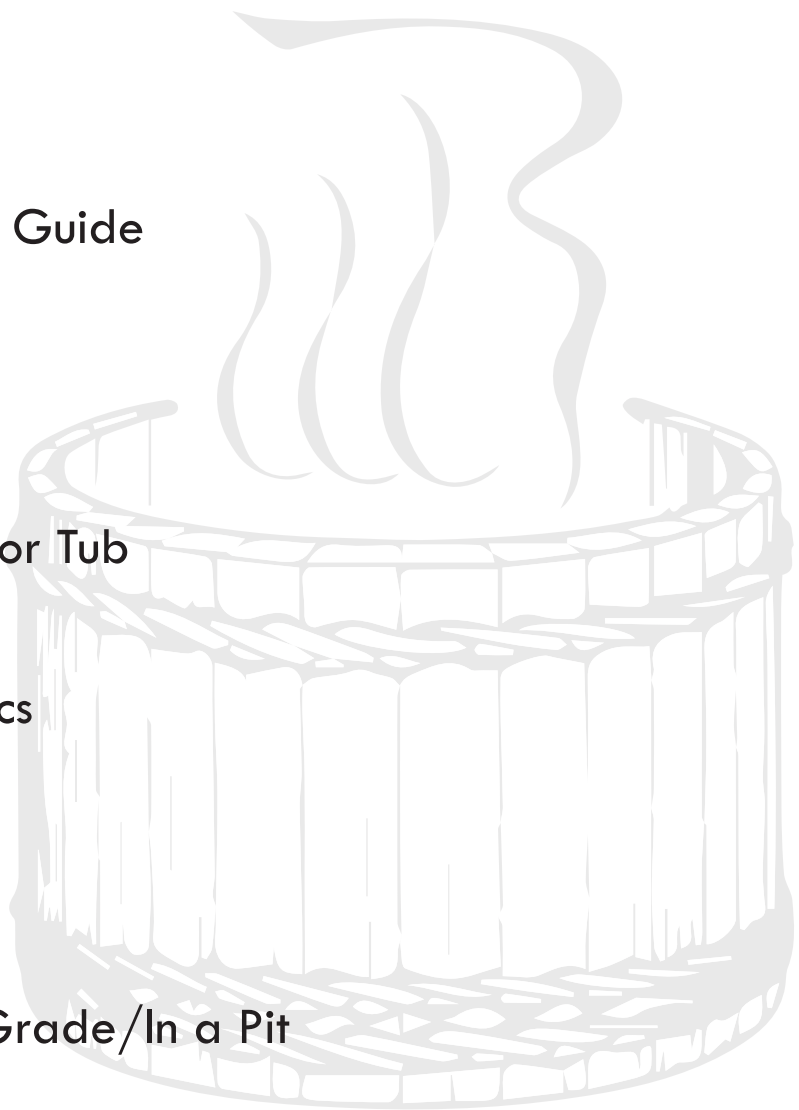
510-234-7920

www.rhtubs.com

benny@rhtubs.com

Table of Contents

Wood Storage	3
Wood and Tub Guide	3
Tub specs	3
Concrete Pad for Tub	3
Equipment Specs	4
In Deck Installs	5
Installs Below Grade/In a Pit	5



Roberts Hot Tubs

Wood Storage

- Store and cover the wood carefully until the assembly is complete. Extreme temperatures, direct sunlight, and moisture can damage the wood.
- Once the tub is assembled, it needs to be kept covered and should be filled with water within 3 days.

Installation

- Roberts Hot Tubs offers installs to northern California. If you are not local, please ask and we may have an installer that we can recommend. We also work with contractors who have never done this as well.

Freight

- Roberts Hot Tubs only provides curbside delivery. The freight company will call to make an appointment for drop-off. If your home is not accessible by the freight company, you will need to pick up your tub at the terminal.

Wood and Tub Guide

- Wooden tubs require a break in period, where the color of the wood (tannins) will bleed into the water. It is still perfectly safe to use during this time.
- Your tub will leak when first filled until the wood swells.
- Prolonged exposure to sunlight will cause the color of the tub to turn grey.

Wood Types:

Western Red Cedar (WRC)

15-year lifespan

1.5-year break in period

Alaskan Yellow Cedar (AYC)

25-year lifespan

3-month break in period

Teak

40-year lifespan

1-year break in period

Tub Specs:

Size	Tub dims	Gallon Capacity	Total Weight
4X4	48"diameter x 50" tall	300gal	3,000lbs
5X4	60"diameter x 50" tall	500gal	5,000lbs
6X4	72"diameter x 50" tall	750gal	7,000lbs
7X4	84"diameter x 50" tall	1,000gal	10,000lbs
8X4	96"diameter x 50" tall	1,300gal	12,000lbs

Notes: Diameter does not include the bands

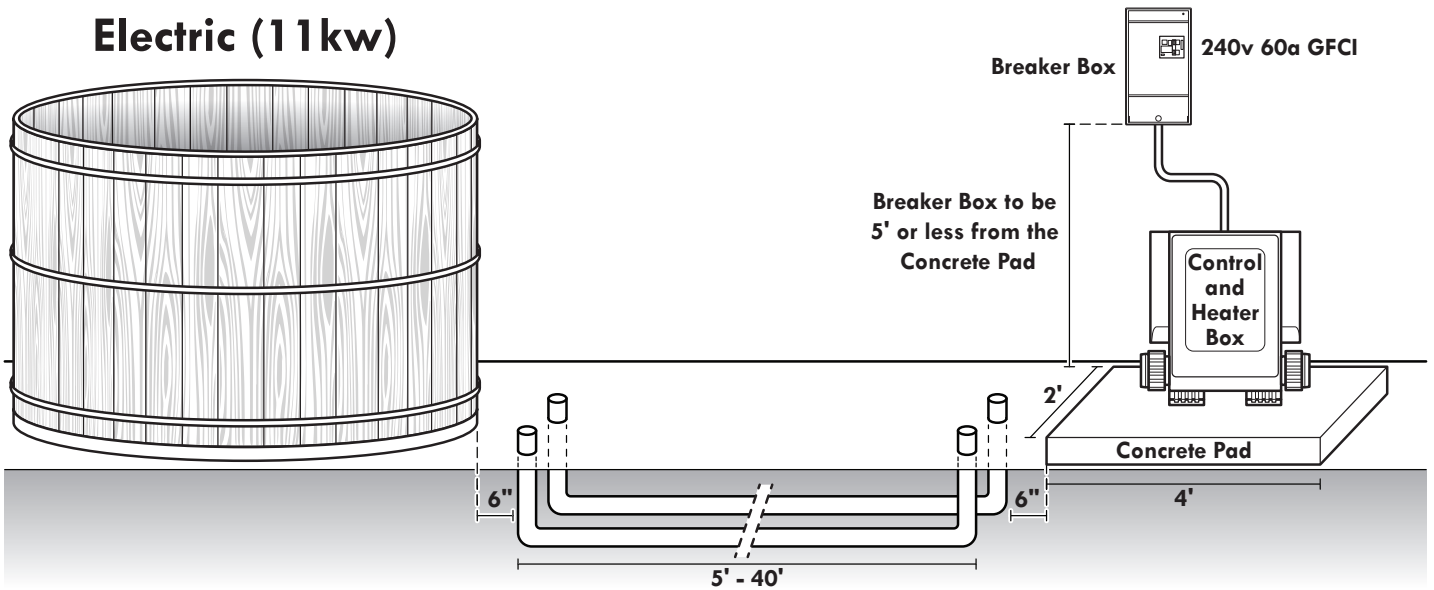
Height is total height off of grade including supporting material

Weight does not include weight of the equipment

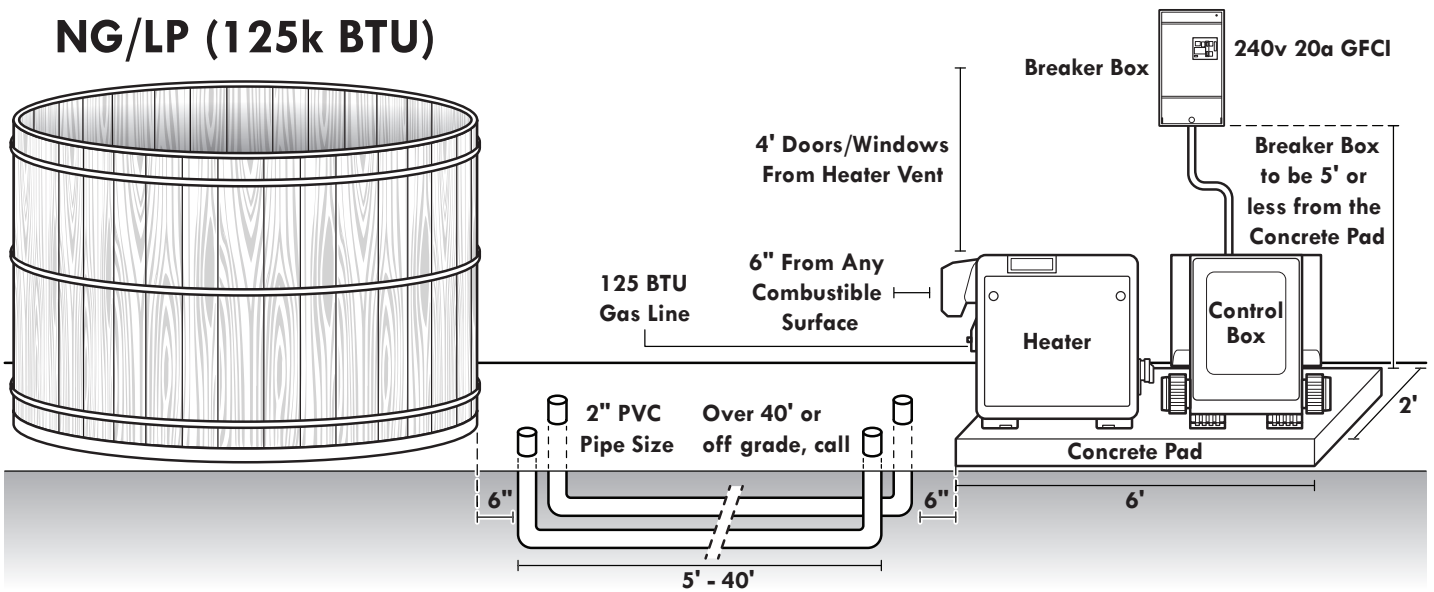
Concrete Pad For Tub

A 6" thick reinforced concrete pad is recommended for tubs. Minimum diameter is 6" less than the overall diameter of the tub.

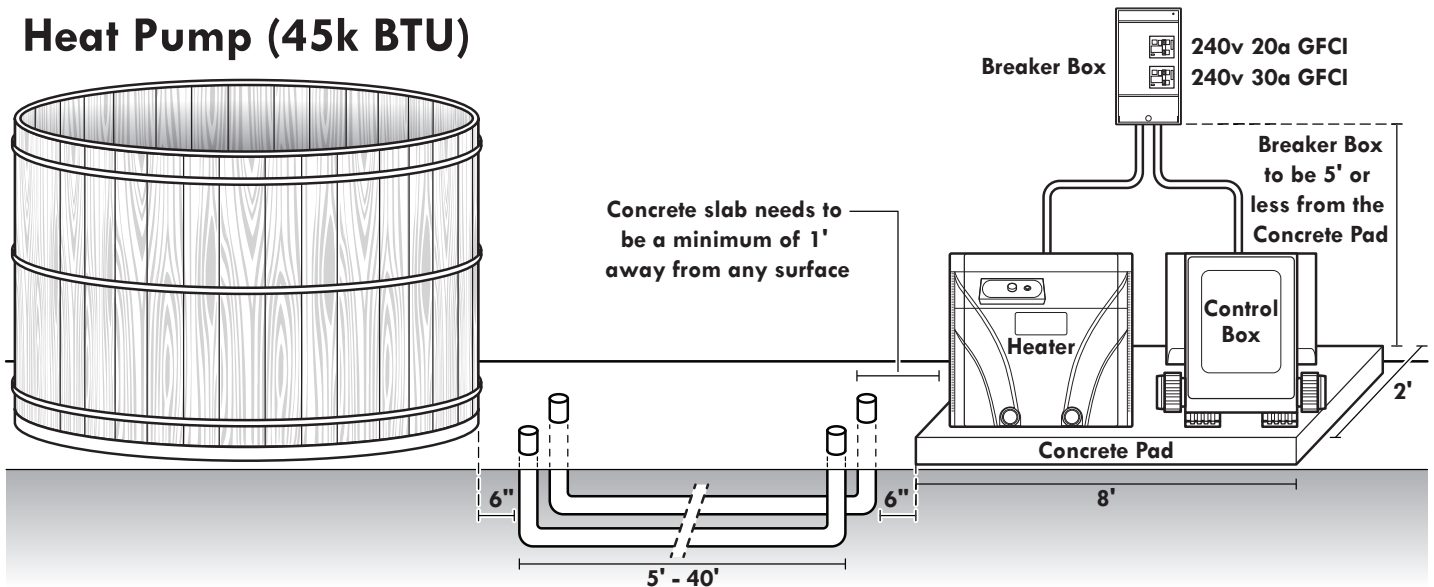
Electric (11kw)



NG/LP (125k BTU)



Heat Pump (45k BTU)



Placement of Equipment

- Equipment may be stored at whatever distance from the tub is convenient. However, if the equipment is within 5' of the tub, it must be inaccessible from inside of the tub.

Examples: Placing the equipment in a room, behind a fence or under a deck.

- Equipment is best kept on grade with the tub. Please contact us if this is not the case.

In Deck Installs

- It is easier to build a deck around a tub rather than drop a tub into a deck.
- Please allow 6" between the tub and any joists for future maintenance and 1/4" between the tub and deck boards

Installs Below Grade/In A Pit

- Tubs may go into a pit or below grade, but please make sure the following conditions are satisfied:

1. There is a slab under the tub of appropriate strength.
2. There is drainage in the pit and the drain is not under the tub.
3. There are retaining walls of appropriate thickness.
4. There is 1' of clearance on all sides.
5. If pipes and/or conduit are going to go through the retaining walls please use sleeves.
6. Access into pit for maintenance