

**Roberts Hot Tubs**

## **Roll Cover Installation**

---

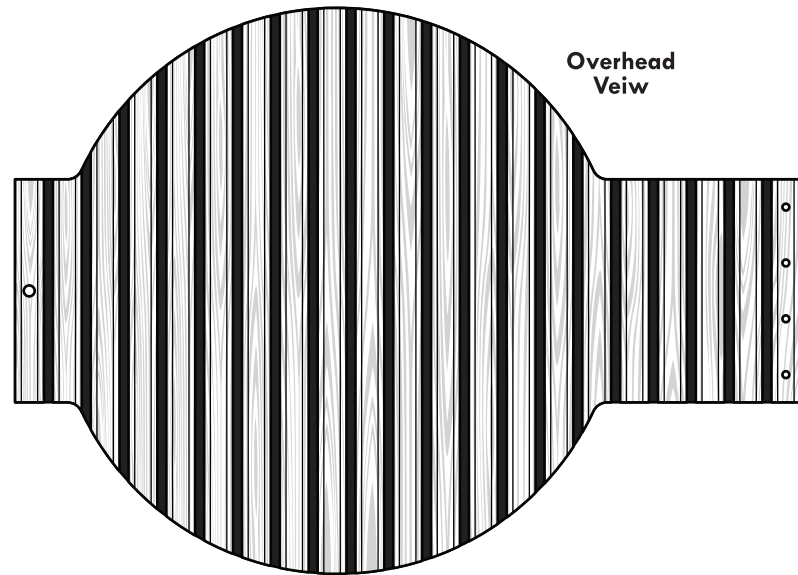
Contact information

510-234-7920

[www.rhtubs.com](http://www.rhtubs.com)

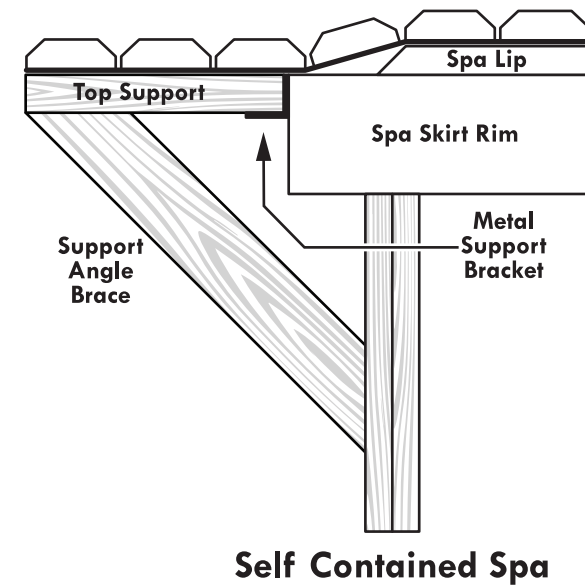
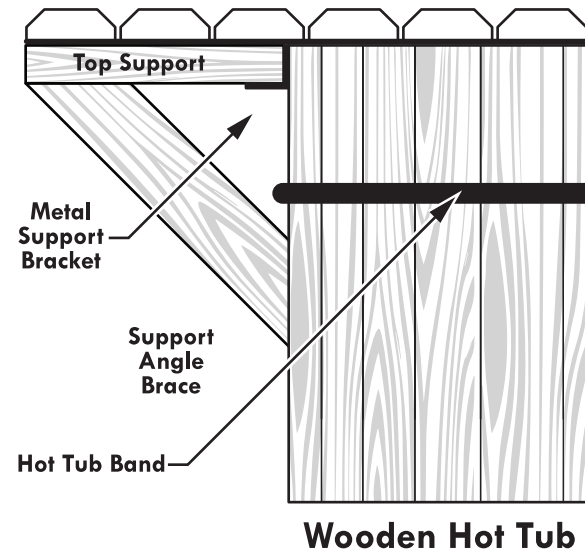
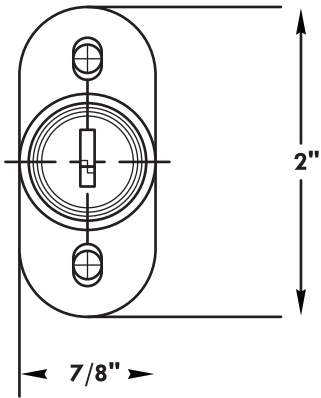
[benny@rhtubs.com](mailto:benny@rhtubs.com)

# Roll Cover Installation



## Strike Plate

7/8" Center Drill Point



## To install cover please follow the following steps.

1. If tub is level with a deck, please attach tail directly to the deck by either screwing up through the deck or down through the tail of the cover. If the tail is too long, slats may be cut off with a utility knife.
2. If tub is above the level of the deck, please install tail support. For self-enclosed tubs, you may need to add boards behind the skirt to reinforce.
3. With the tail attached to the supports or deck, lay cover down and find where the lock goes.
4. Where the center of the lock meets the deck or strike plate block, drill a 7/8" hole, 1/2" deep.
5. Center the strike plate on the hole and attached to the surface using included hardware.

Please inspect label for premature wear or deterioration which may affect legibility. To get replacement labels please call 510-234-7920.

**Warning:** Avoid drowning risk. Failure to follow all instructions may result in injury or drowning. Non-secured or improperly secured covers are a hazard. Keep children away. Children or objects cannot be seen under cover. Keep cover on spa and locked when not in use. Manual safety spa cover. In accordance with ASTM F1346-91

## Warranty

### 3 Year limited manufacturer's warranty for all insulating covers:

Roberts Hot Tubs warrants our insulating covers to the original end user, to be free from defects in material and workmanship, under normal usage, for a period of 3 years (36 months) from the date of manufacturing to the original end user. Such limited warranty does not cover damages caused by animals, fire, vandalism, excessive chemicals, improper installation and strain, abuse or abrasion, acts of God or use for purposes other than that for which the cover was designed. Ordinary wear and tear, delamination and seam splitting due to improper handling are not considered to be a defect in workmanship or material. Foam cores (1.5 # & 2.0 # only) are covered for 3 years, 1.0 # are covered for 1 year. Warranty of foam cores is void if any holes have been found to puncture or penetrate either the outer covering or inner seal. Any expressed or implied warranty is limited in duration to 3 years (36 months) from the date of manufacturing to the original end user. Roberts Hot Tubs shall not be liable for any incidental or consequential damages.

Any insulating cover deemed by Roberts Hot Tubs to have failed due to defects in materials or workmanship within 3 years (36 months) from date of purchase will be repaired or replaced, at our option, without charge for materials or labor (excludes cost of freight FOB San Diego, CA).

### WARRANTY DOES NOT COVER IMPROPER USE OR ANY OF THE FOLLOWING:

- Insulating cover has been subjected to alteration, misuse, abuse, or if any repairs on the cover are attempted by anyone other than our authorized representatives, unless express written approval is given.
- Foam breakage or tearing of vinyl (this cover is not intended to be walked, stood, or sat upon, or any excessive weight caused by rain, water, snow, animals, or any other acts of God).
- Damage due to excessive use of chemicals of water or contact with other chemicals on the cover material (this includes the use of Armor All® and other petroleum based products).
- Fading of vinyl and thread is not considered a defect and will naturally occur due to normal chemical maintenance, exposure to the elements and aging.
- Scuffing & Chafing or wearing holes in cover by dragging or storing/leaning against sharp objects.
- Damage caused by improper installation or during transportation from the dealer to purchaser.
- Any damage resulting from any misuse, abuse, negligence, acts of God, accident or alteration, (i.e. cover lifts, animals and excessive weight or wind).

**Implied Warranties:** The only express warranties are set forth herein. Any implied warranties, including the warranties of merchantability and fitness for a particular purpose, are limited in duration to that of the expressed warranties. This warranty does not cover consequential damages or incidental damages including damage to property or injury arising for the use or inability to use this product. Some states do not allow the exclusion or limitation of consequential of incidental damages, so the above limitation may not apply to you.