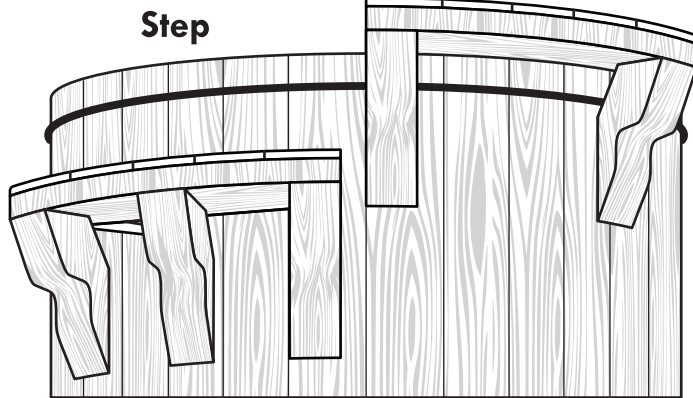


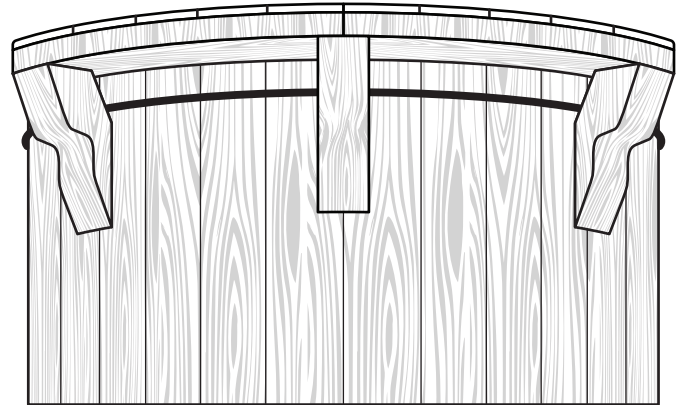
Rim Deck Installation

Single Deck



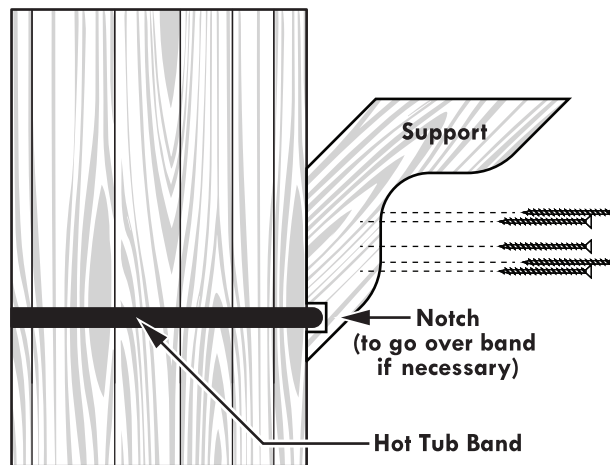
Rim decks may be used as steps or as decks at the top of the tub. Steps require 3 supports and rim decks used as decking require 1-2.

Two Sections of Decking

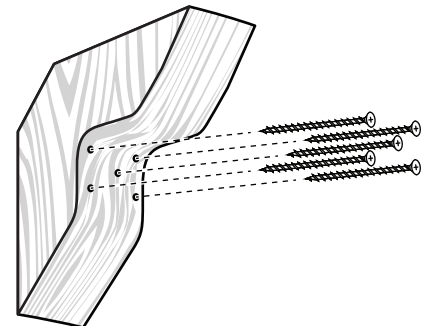


Decks adjacent to one another share a support.

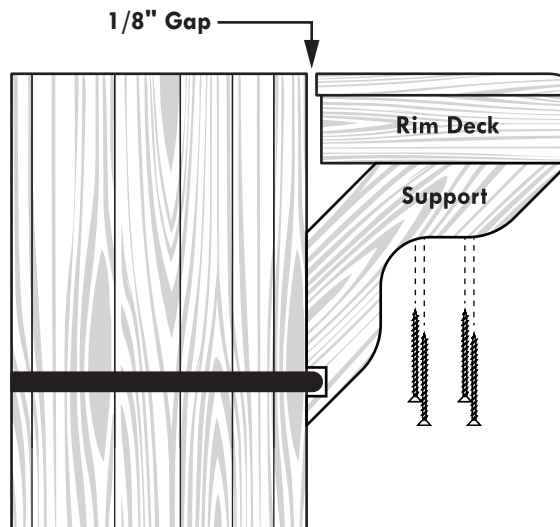
1. Mock out and mark where you would like the supports to go. A notch might need to be cut to go over a band.
2. With 5 screws, (3.5" or 4" Stainless steel) use a #3 phillips bit to screw supports into the wall of the tub.



Wooden Hot Tub



3. Position rim decks on top of the supports with a 1/8" gap between the edge of the deck and wall of the tub. Use up to 4 screws to secure into place.



Wooden Hot Tub

